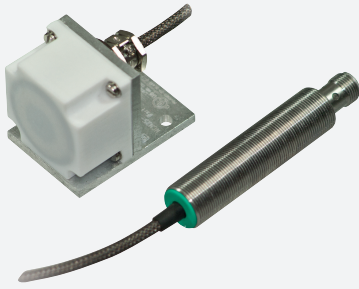


# Inductive sensor

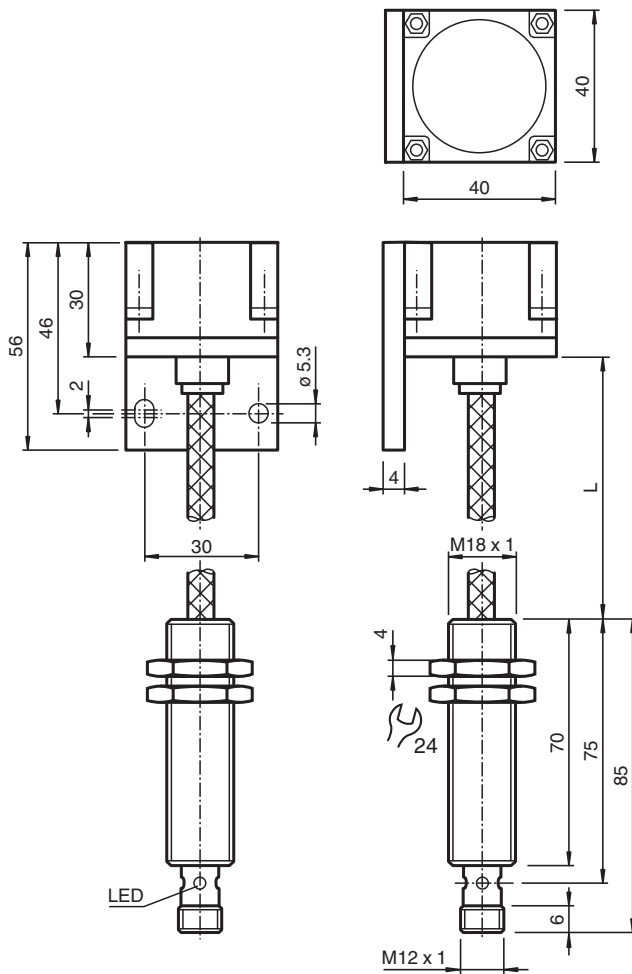
## NCN25-F35-A2-250-V1



- Comfort series
- Extended temperature range of sensor component  
0 ... 250 °C (0 ... 482 °F)
- 10 m cable between sensor and amplifier with metal case
- Suitable for drag chains
- Minimum bending radius of 30 cm for movable laying



### Dimensions



### Technical Data

#### General specifications

Switching function	complementary
--------------------	---------------

Release date: 2020-03-23 Date of issue: 2020-03-30 Filename: 187479\_eng.pdf

Refer to "General Notes Relating to Pepperl+Fuchs Product Information".

Pepperl+Fuchs Group  
www.pepperl-fuchs.com

USA: +1 330 486 0001  
fa-info@us.pepperl-fuchs.com

Germany: +49 621 776 1111  
fa-info@de.pepperl-fuchs.com

Singapore: +65 6779 9091  
fa-info@sg.pepperl-fuchs.com

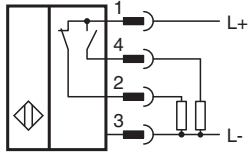
**PF** PEPPERL+FUCHS

## Technical Data

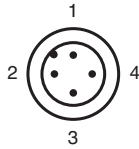
Output type		PNP
Rated operating distance	$s_n$	25 mm
Installation		flush mountable
Output polarity		DC
Assured operating distance	$s_a$	0 ... 20 mm
Reduction factor $r_{Al}$		0.5
Reduction factor $r_{Cu}$		0.5
Reduction factor $r_{304}$		0.6 ... 1
Mounting angle		Al
Amplifier housing		Stainless steel
<b>Nominal ratings</b>		
Operating voltage	$U_B$	10 ... 30 V
Switching frequency	$f$	0 ... 20 Hz
Hysteresis	$H$	0.3 ... 5 typ. 2 %
Reverse polarity protection		reverse polarity protected
Short-circuit protection		pulsing
Voltage drop	$U_d$	$\leq 3$ V
Operating current	$I_L$	0 ... 200 mA
No-load supply current	$I_0$	$\leq 25$ mA
Time delay before availability	$t_v$	$\leq 20$ ms
Switching state indicator		Multihole-LED, yellow
<b>Functional safety related parameters</b>		
MTTF <sub>d</sub>		7515 a
Mission Time ( $T_M$ )		20 a
Diagnostic Coverage (DC)		0 %
<b>Compliance with standards and directives</b>		
Standard conformity		
Standards		EN 60947-5-2:2007 IEC 60947-5-2:2007
<b>Approvals and certificates</b>		
UL approval		cULus Listed, General Purpose, Class 2 Power Source
CCC approval		CCC approval / marking not required for products rated $\leq 36$ V
<b>Ambient conditions</b>		
Ambient temperature		0 ... 250 °C (32 ... 482 °F)
<b>Mechanical specifications</b>		
Connection type		Connector M12 x 1 , 4-pin
Cable version		PFA cable, with armour of stainless steel
Core cross-section		3 x 0.34 , screened
Housing material		PTFE / Al / 1.4305 / AISI 303
Sensing face		PTFE
Degree of protection		amplifier IP67 sensor IP40
Cable length		L = 10 m
Note		- amplifier 0 °C ... 70 °C - $r_{1.4305}$ dep. on thickness of measurement plate d: $r_{1.4305} = 1$ for $d < 1$ mm Additional accessory: Protective cover SH-F35 is available for use in areas where there is moisture and as a means of mechanical protection.

Release date: 2020-03-23 Date of issue: 2020-03-30 Filename: 187479\_eng.pdf

**Connection**



**Connection Assignment**

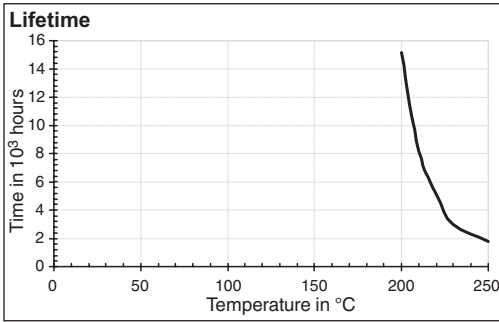


Wire colors in accordance with EN 60947-5-2

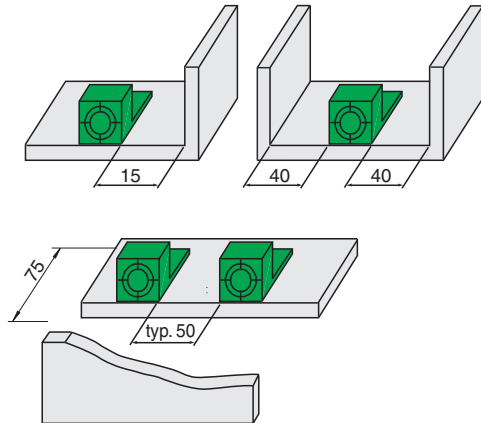
1	BN	(brown)
2	WH	(white)
3	BU	(blue)
4	BK	(black)

Release date: 2020-03-23 Date of issue: 2020-03-30 Filename: 187479\_eng.pdf

**Assembly**

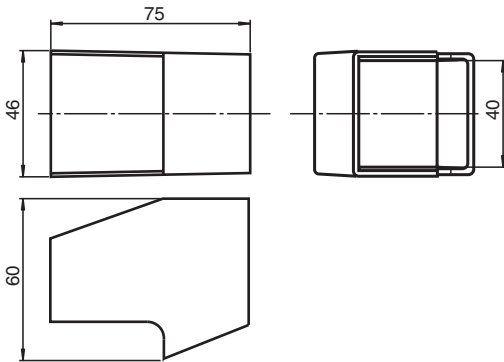


**Installation:**



**Accessories:**

Protective Cover SH-F35



**Accessories**

	<b>V1-W-2M-PUR</b>	Female cordset, M12, 4-pin, PUR cable
	<b>V1-G-2M-PUR</b>	Female cordset, M12, 4-pin, PUR cable

Release date: 2020-03-23 Date of issue: 2020-03-30 Filename: 187479\_eng.pdf

Refer to "General Notes Relating to Pepperl+Fuchs Product Information".

Pepperl+Fuchs Group  
www.pepperl-fuchs.com

USA: +1 330 486 0001  
fa-info@us.pepperl-fuchs.com

Germany: +49 621 776 1111  
fa-info@de.pepperl-fuchs.com

Singapore: +65 6779 9091  
fa-info@sg.pepperl-fuchs.com