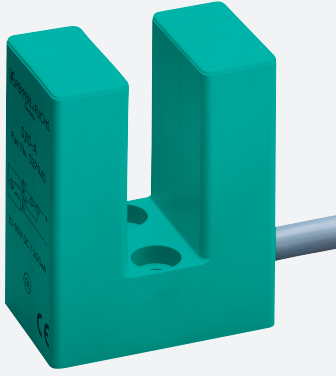


Inductive slot sensor

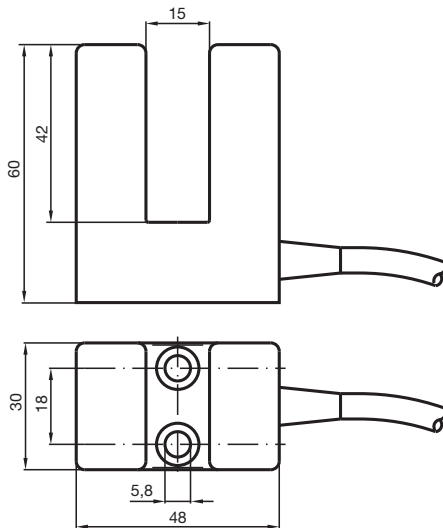
SJ15-E



- 15 mm slot width
- 3-wire DC



Dimensions



Technical Data

General specifications

| | |
|------------------------------|--------------------|
| Switching function | Normally open (NO) |
| Output type | NPN |
| Slot width | 15 mm |
| Depth of immersion (lateral) | 17 ... 20 mm |
| Output polarity | DC |

Nominal ratings

| | | |
|-----------------------------|-------|----------------------------|
| Operating voltage | U_B | 10 ... 30 V DC |
| Switching frequency | f | 0 ... 500 Hz |
| Reverse polarity protection | | reverse polarity protected |
| Short-circuit protection | | pulsing |
| Voltage drop | U_d | ≤ 3 V |
| Operating current | I_L | 0 ... 200 mA |

Release date: 2020-03-20 Date of issue: 2020-03-30 Filename: 013149_eng.pdf

Refer to "General Notes Relating to Pepperl+Fuchs Product Information".

Pepperl+Fuchs Group
www.pepperl-fuchs.com

USA: +1 330 486 0001
fa-info@us.pepperl-fuchs.com

Germany: +49 621 776 1111
fa-info@de.pepperl-fuchs.com

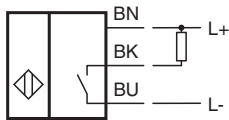
Singapore: +65 6779 9091
fa-info@sg.pepperl-fuchs.com

PEPPERL+FUCHS

Technical Data

| | | |
|---|-------|--|
| No-load supply current | I_0 | $\leq 20 \text{ mA}$ |
| Compliance with standards and directives | | |
| Standard conformity | | |
| Standards | | EN 60947-5-2:2007 IEC 60947-5-2:2007 |
| Approvals and certificates | | |
| UL approval | | cULus Listed, General Purpose |
| CSA approval | | cCSAus Listed, General Purpose |
| CCC approval | | CCC approval / marking not required for products rated $\leq 36 \text{ V}$ |
| Ambient conditions | | |
| Ambient temperature | | $-25 \dots 70 \text{ }^\circ\text{C}$ ($-13 \dots 158 \text{ }^\circ\text{F}$) |
| Mechanical specifications | | |
| Connection type | | cablc PVC , 2 m |
| Core cross-section | | 0.75 mm^2 |
| Housing material | | PBT |
| Degree of protection | | IP67 |

Connection



Release date: 2020-03-20 Date of issue: 2020-03-30 Filename: 013149_eng.pdf