



Model Number

ENA58IL-R***-EtherCAT

Features

- Recessed hollow shaft
- 30 Bit multiturn
- Free of wear magnetic sampling
- High resolution and accuracy
- Mechanical compatibility with all major encoders with fieldbus interface
- Status LEDs

Description

The ENA58IL series are high precision encoders with internal magnetic sampling.

Technical Data

General specifications

Detection type	magnetic sampling
Device type	Absolute encoders
Linearity error	$\leq \pm 0.1^\circ$
UL File Number	E223176 "For use in NFPA 79 Applications only", if UL marking is marked on the product.

Functional safety related parameters

MTTF _d	256 a at 40 °C
Mission Time (T _M)	12 a
L ₁₀	5 E+8 revolutions at 24/198 N axial/radial shaft load
Diagnostic Coverage (DC)	0 %

Electrical specifications

Operating voltage U _B	10 ... 30 V DC
Power consumption P ₀	approx. 4 W
Time delay before availability t _v	< 250 ms
Output code	binary code
Code course (counting direction)	adjustable

Interface

Interface type	EtherCAT CoE (CANopen over EtherCAT, according to CiA DS-301 and DS-406 device profile CiA)
----------------	--

Resolution	
Single turn	up to 16 Bit
Multiturn	up to 14 Bit
Overall resolution	up to 30 Bit
Transfer rate	10 MBit/s / 100 MBit/s

Connection

Connector	Ethernet: 2 sockets M12 x 1, 4-pin, D-coded Supply: 1 plug M12 x 1, 4-pin, A-coded
-----------	---

Standard conformity

Degree of protection	DIN EN 60529, IP65, IP66, IP67
Climatic testing	DIN EN 60068-2-3, no moisture condensation
Emitted interference	EN 61000-6-4:2007
Noise immunity	EN 61000-6-2:2005
Shock resistance	DIN EN 60068-2-27, 100 g, 6 ms
Vibration resistance	DIN EN 60068-2-6, 10 g, 10 ... 1000 Hz

Ambient conditions

Operating temperature	-40 ... 85 °C (-40 ... 185 °F)
Storage temperature	-40 ... 85 °C (-40 ... 185 °F)
Relative humidity	98 % , no moisture condensation

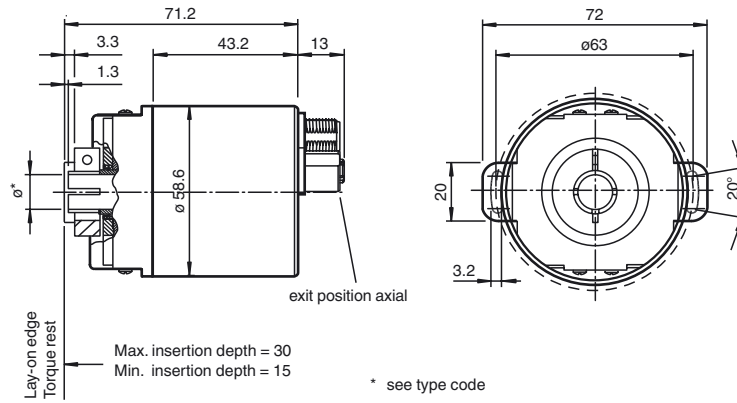
Mechanical specifications

Material	
Housing	Zinc plated steel, painted
Flange	Aluminum
Shaft	Stainless steel
Mass	approx. 300 g
Rotational speed	max. 12000 min ⁻¹
Moment of inertia	50 gcm ²
Starting torque	< 5 Ncm
Shaft load	
Axial	24 N
Radial	198 N
Angle offset	$\pm 0.9^\circ$
Axial offset	± 0.3 mm static
Radial offset	± 0.5 mm static

Approvals and certificates

UL approval	cULus Listed, General Purpose, Class 2 Power Source , if UL marking is marked on the product.
-------------	---

Dimensions



Recessed hollow shaft

Electrical connection

Pin	Male connector M12 x 1, 4-pin, A-coded	Female connector M12 x 1, 4-pin, D-coded
1	Supply voltage +U _B	Tx +
2	-	Rx +
3	0 V	Tx -
4	-	Rx -

--	--

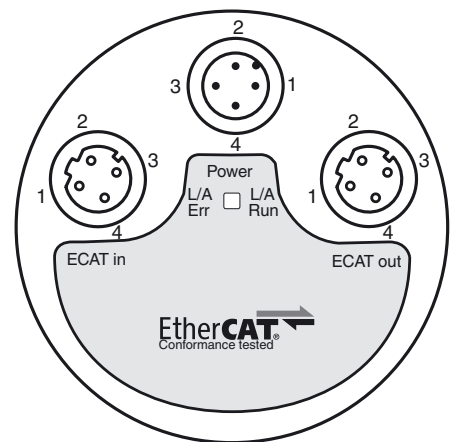
Indicators

Port LEDs

LED	Color	Status	Description
Link/Act IN	green	on	LINK active for HUB port 1
		blinking	Activity on HUB port 1
Link/Act OUT	green	on	LINK active for HUB port 2
		blinking	Activity on HUB port 2

EtherCAT LEDs

LED	Color	Status	Description
Error	red	off	no error
		blinking	invalid configuration
		single flash	local error
		double flash	process data watchdog timeout/ EtherCAT watchdog timeout
		flickering	booting error
		on	application failure
Run	green	off	initialization
		blinking	Pre-Operational
		single flash	Safe-Operational
		flickering	initialization or bootstrap
		on	Operational



Release date: 2019-04-25 08:45 Date of issue: 2019-04-25 1175231_eng.xml

Refer to "General Notes Relating to Pepperl+Fuchs Product Information".

Pepperl+Fuchs Group
www.pepperl-fuchs.com

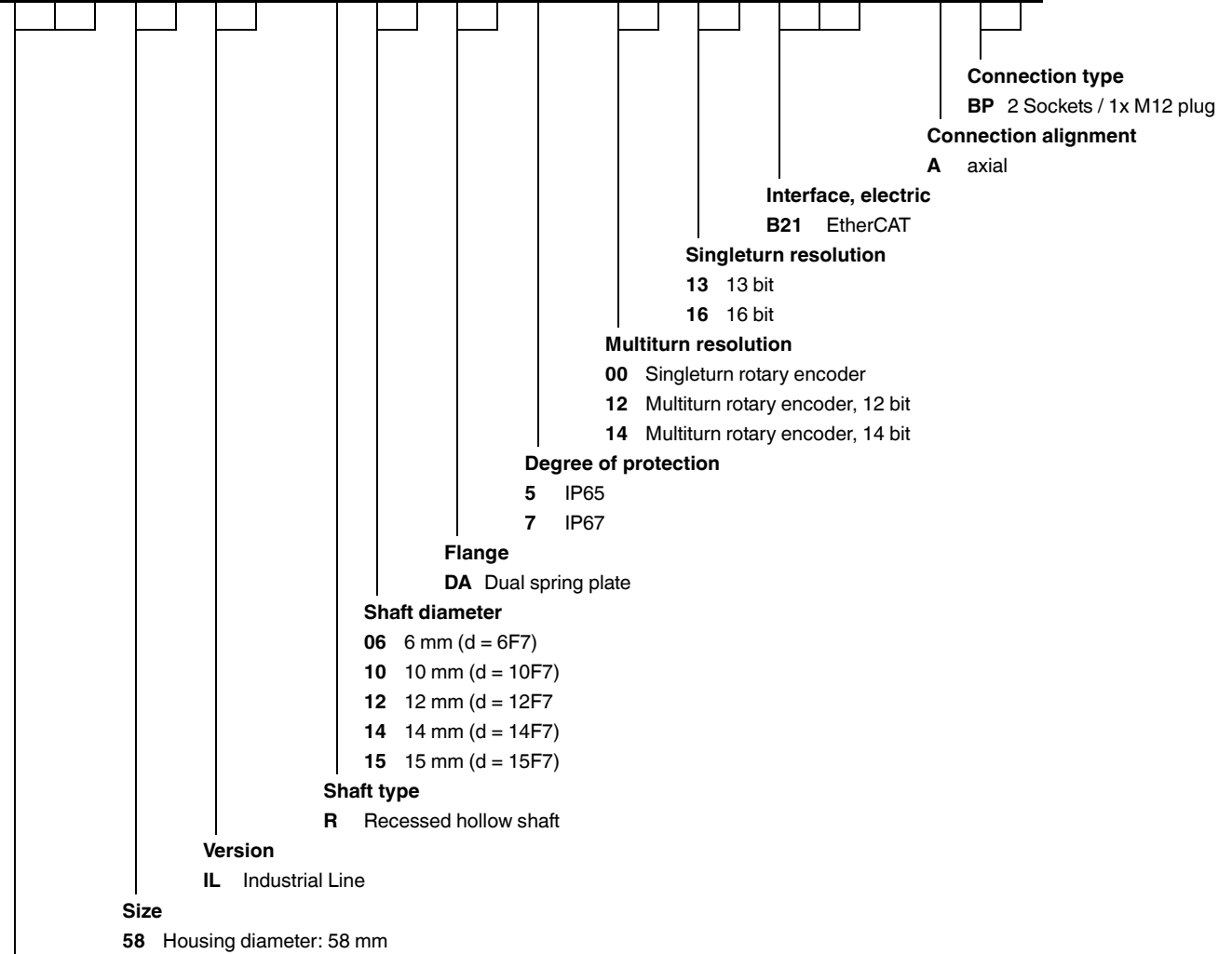
USA: +1 330 486 0001
fa-info@us.pepperl-fuchs.com

Germany: +49 621 776 1111
fa-info@de.pepperl-fuchs.com

Singapore: +65 6779 9091
fa-info@sg.pepperl-fuchs.com

Model number

E N A 5 8 I L - R D A - - - B 2 1 - A B P



Release date: 2019-04-25 08:45 Date of issue: 2019-04-25 1175231_eng.xml

Refer to "General Notes Relating to Pepperl+Fuchs Product Information".

Pepperl+Fuchs Group
 www.pepperl-fuchs.com

USA: +1 330 486 0001
 fa-info@us.pepperl-fuchs.com

Germany: +49 621 776 1111
 fa-info@de.pepperl-fuchs.com

Singapore: +65 6779 9091
 fa-info@sg.pepperl-fuchs.com