



Model Number

UC250-F77-IU-IO-V31

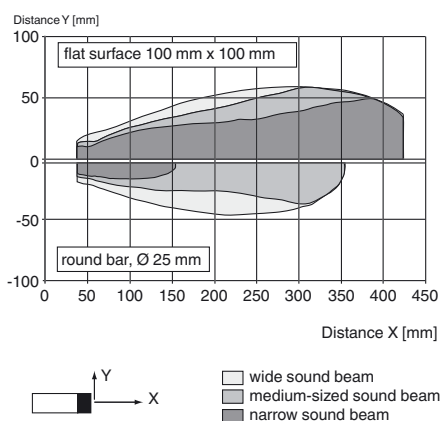
Single head system

Features

- IO-Link interface for parameterization
- Programmable via DTM with PACTWARE
- Selectable sound lobe width
- Synchronization options
- Temperature compensation
- Analog output

Diagrams

Characteristic response curve



Release date: 2019-10-17 08:30 Date of issue: 2019-10-17 261246_eng.xml

Technical data

General specifications

Sensing range	20 ... 250 mm
Adjustment range	25 ... 250 mm
Dead band	0 ... 20 mm
Standard target plate	10 mm x 10 mm
Transducer frequency	approx. 400 kHz
Response delay	minimum : 8 ms factory setting: 29 ms
Sensor cycle time	≥ 8 ms (factory setting) ; programmable to 60 s

Memory

Non-volatile memory	EEPROM
Write cycles	300000

Indicators/operating means

LED green	solid: power on flashing: standby mode or IO-Link communication
LED yellow	solid: object in evaluation range flashing: programming of the limits, object detected
LED red	solid: fault flashing: programming limits, object not detected

Electrical specifications

Operating voltage U_B	18 ... 30 V DC , ripple 10 % _{SS}
No-load supply current I_0	≤ 50 mA
Power consumption P_0	≤ 500 mW
Time delay before availability t_v	≤ 300 ms

Interface

Interface type	IO-Link (available after activation via programming button until next reset)
----------------	--

Input/Output

Input/output type	1 synchronization connection, bidirectional
0 Level	0 ... 1 V
1 Level	2.5 V ... U_B
Input impedance	> 22 kΩ
Output rated operating current	current source < 2.5 mA
Pulse length	≥ 1 ms with external control, low active
Synchronization frequency	
Common mode operation	≤ 141 Hz
Multiplex operation	≤ 141 Hz / n , n = number of sensors , n ≤ 10

Output

Output type	1 analog output 0 (4) ... 20 mA or 1 analog output 0 ... 10 V
Resolution	current output: evaluation range [mm]/3200 but ≥ 0.35 mm voltage output: evaluation range [mm]/4000 but ≥ 0.35 mm
Deviation of the characteristic curve	≤ ± 1 % of full-scale value
Repeat accuracy	≤ ± 0.1 % of full-scale value
Load impedance	current output: ≤ 500 Ohm voltage output: ≥ 1000 Ohm
Temperature influence	≤ ± 0.75 % of the end value (with temperature compensation) from 10 minutes after switching on the sensor ; 0,17 %/K (without temperature compensation)

Ambient conditions

Ambient temperature	current output -25 ... 60 °C (-13 ... 140 °F) voltage output -25 ... 70 °C (-13 ... 158 °F)
Storage temperature	-40 ... 85 °C (-40 ... 185 °F)

Mechanical specifications

Connection type	Connector plug M8 x 1 , 4-pin
Degree of protection	IP67
Material	
Housing	Polycarbonate
Transducer	epoxy resin/hollow glass sphere mixture; polyurethane foam
Installation position	any position
Mass	9 g
Tightening torque, fastening screws	max. 0.2 Nm

Factory settings

Output	near limit: 25 mm far limit: 250 mm Output mode: rising ramp output type: 4 ... 20 mA
Beam width	wide

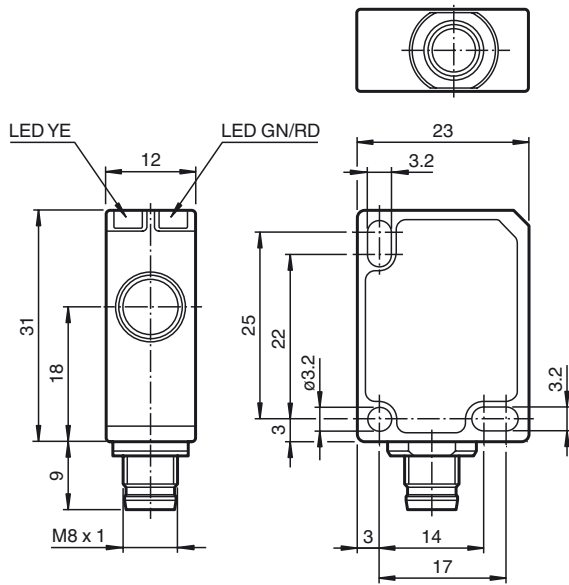
Compliance with standards and directives

Standard conformity	
Standards	EN 60947-5-2:2007+A1:2012 IEC 60947-5-2:2007 + A1:2012 EN 60947-5-7:2003 IEC 60947-5-7:2003

Approvals and certificates

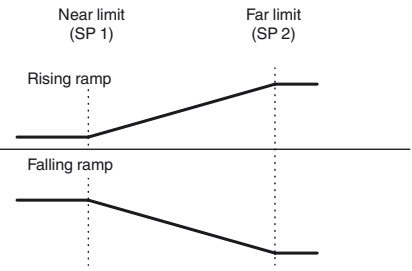
UL approval	cULus Listed, Class 2 Power Source
CCC approval	CCC approval / marking not required for products rated ≤36 V

Dimensions

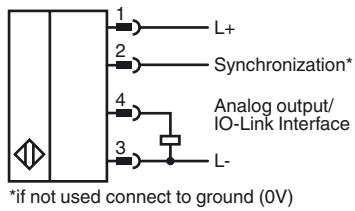


Additional Information

Analog output modes



Electrical Connection



Pinout



Wire colors in accordance with EN 60947-5-2

1	BN	(brown)
2	WH	(white)
3	BU	(blue)
4	BK	(black)

Release date: 2019-10-17 08:30 Date of issue: 2019-10-17 261246_eng.xml

Accessories

IO-Link-Master02-USB

IO-Link master, supply via USB port or separate power supply, LED indicators, M12 plug for sensor connection

V31-GM-2M-PVC

Female cordset single-ended, M8, 4-pin, PVC cable

V31-GM-1M-PVC-V1-G

OMH-ML7-01

Mounting aid for ML7 and ML8 series, Mounting bracket

OMH-ML7-02

Mounting aid for ML7 and ML8 series, Mounting bracket

Description of Sensor Functions

Adjustment possibilities

The sensor features an analog output with 2 programmable limits. Programming the limits, the output mode, the output type and the beam width can be done in two different ways:

- Using the sensor's programming button
- Using the IO-link interface of the sensor. This method requires an IO-link master (e.g. IO-link-Master02-USB) and the associated software. The download link is available on the product page for the sensor at www.pepperl-fuchs.de

Synchronization

The sensor features a synchronization input for suppressing ultrasonic mutual interference („cross talk“).

The following synchronization modes are available:

1. Automatic multiplex mode.
2. Automatic common mode
3. Externally controlled synchronization

Further Documentation

- For information on programming via programming button and synchronisation you may refer to the commissioning instruction.
- For detailed information on application and programming via IO-Link we provide a manual.